



Datasheet

Features

Lock	Yes
LED Light	No
Battery Backup for Controller, 48h	Yes
VIP (Vacuum Insulated Panel)	No
Perimeter Heater	No
Porthole	Yes - Ø 12,5mm
Dry Contact	Yes
Vacuum Valve	No
Door	Solid
Door Reversibility	N/A

Construction

Outer Dimensions, HxWxD	921x550x550
Inner Dimensions, HxWxD	450x390x390
Weight Gross/Net, kg	73 / 50
Material Inner Cabinet	Painted Steel
Material Outer Cabinet	Painted Steel
Insulation Thickness, mm	80
Insulation Type	Polyurethane with Cyclopentane
Air Distribution	N/A
Mobility	Standard: 4xCasters with brakes
Refrigerant, Type / gram	Nature R2 / 121
Variable Speed Compressor	No
Internal Air Distribution	Static
Number of Probes	1

Controller & Alarms

Controller	i-Care, Touch screen
Controller language	EN, DE, FR
USB Connection	Yes
Logging	Data, Alarms & Events
Temperature Graph	Yes
High/Low Temp. Alarm	Yes
Open Door Alarm	No
Probe Failure Alarm	Yes
Power Failure Alarm	Yes

-20°C
-86°C




ULTF-C74i

Biomedical ULT Freezer

Complexity made simple Info center



Storage

Volume, Gross/net, L	74 / 71
Shelf	N/A
Cryobox "2 capacity	40
2 ml vials capacity	4.000
Inner lids	Yes

Performance & Operation

Temperature Range, C°	-20 to -86
Voltage, V	220
Frequence, Hz	50
Max Ambient, °C	30
Max Humidity, °C	65
Noise, dB	54
Energy Consumption, kWh / 24h	5,3
Instant Power Consumption	PD 0,540 / Stable 0,340
Heat Rejection	370
K-Value	0,19
Defrost	Manual



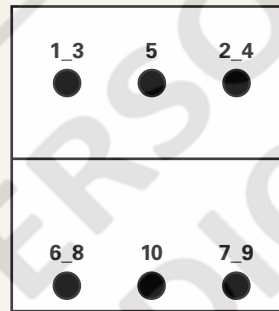
Temperature Mapping

Test overview

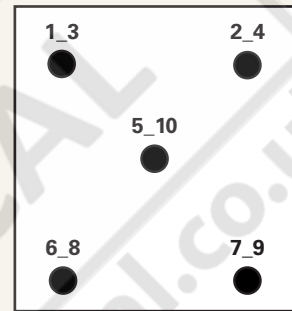
Test type	10-point test
Test environment	Controlled conditions, empty cabinet
Ambient temperature	20°C
Humidity	60%
Set-point	-82°C
Sensors used	25gr tinned brass formed as a cylinder with a diameter of 15,2mm
Installation	Appliance installed according to instruction manual conditions
Refrigerant	Nature R 2

Sensor position

Front View



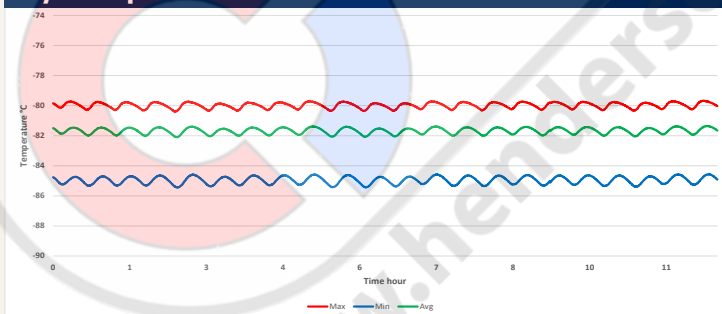
Top View



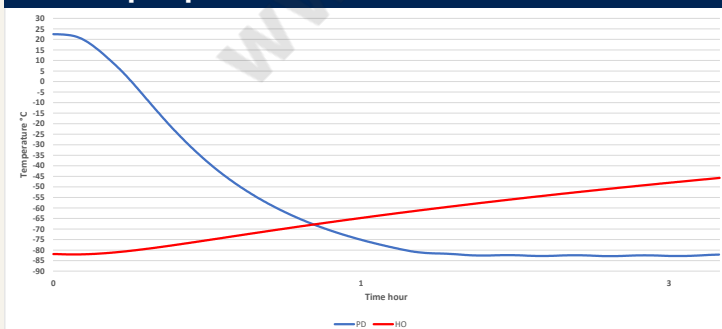
Sensor temperature

Sensor position	P1	P2	P3	P4	P5	P6	P7	P8	P9	P10
Max.	-83,9	-85,3	-85,2	-84,9	-85,6	-85	-85	-84,5	-85	-84,6
Avg.	-84,5	-85,9	-85,8	-85,5	-86,2	-85,6	-85,5	-85	-85,6	-85,1
Min.	-85,1	-86,5	-86,2	-86,2	-86,9	-86,3	-86,3	-85,6	-86,3	-85,7

Cyclic operation



Warm up & pull down

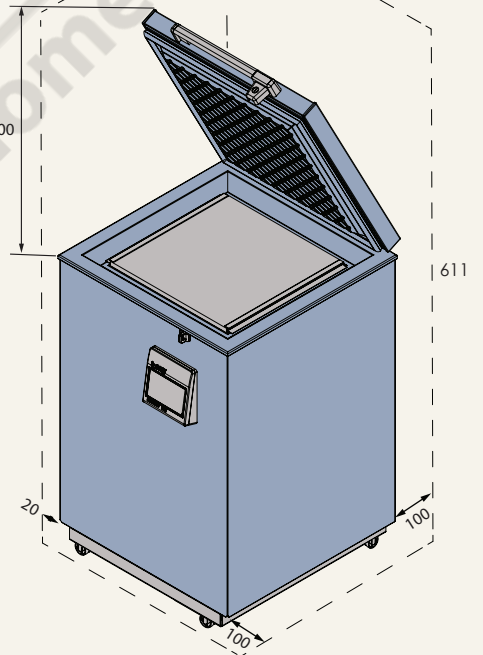
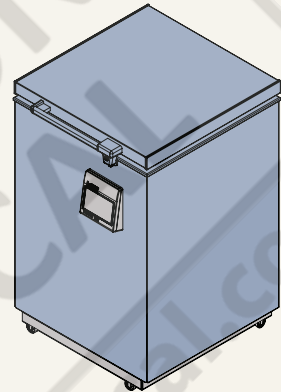
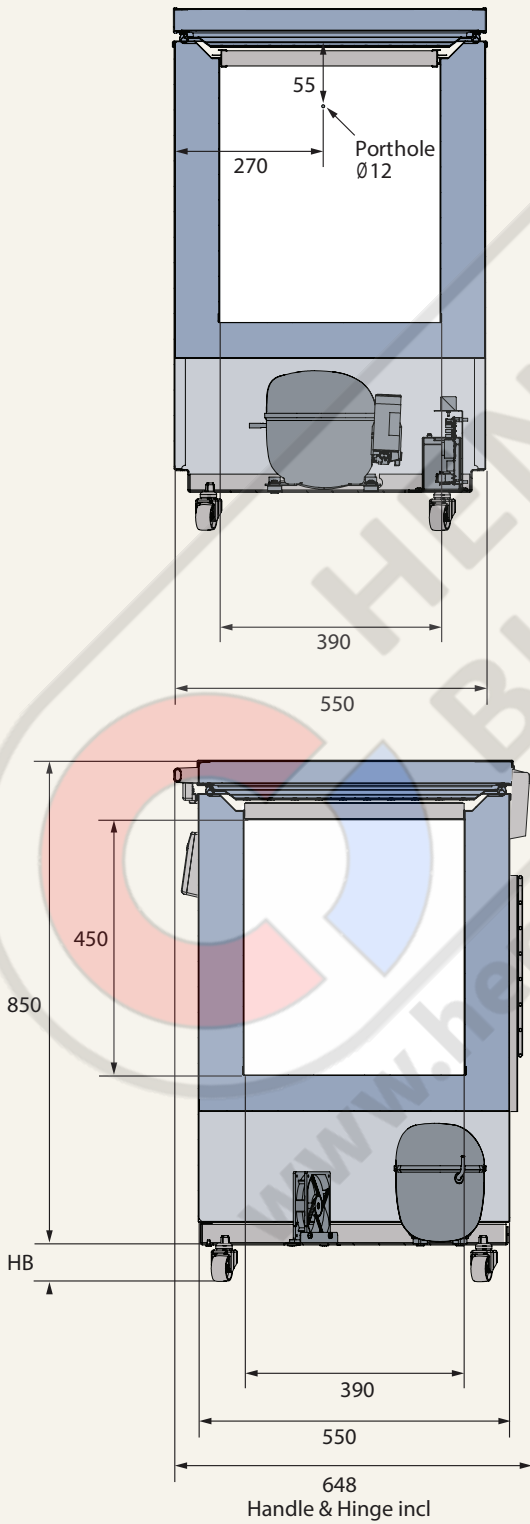


Typical performance data

Avg. cabinet temperature	-85,5°C
Uniformity	+/- 0,9°C
Stability in avg.	1,0°C
1 min. door open recovery to -75°C avg. temperature	6 min.
Cycle rate on/off	16 / 7 min.
Duty cycle	68 %
Energy consumption - Normal mode	5,32 kWh/day
Energy consumption - Energy saving mode	4,01 kWh/day
Pull down time to -75°C avg. temperature	72 min.
Hold over time from -82°C to -60°C	64 min.
Heat rejection	370 W

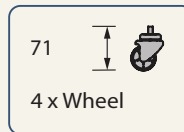


Dimensions



All dimensions in millimeter

HB: Height of base (HB is adjustable when given value is xx-xx)





LABORATORY EQUIPMENT MAINTENANCE, REPAIR, CALIBRATION AND SALES

Established in 1987, Henderson Biomedical is the UK's leading laboratory equipment sales and service provider. Our knowledgeable team can provide you with excellent sales advice on a range of different types of laboratory equipment including centrifuges, refrigerators, freezers and heat sealers.

Henderson Biomedical is also able to provide you with first class after-sales service and calibration of your laboratory equipment. We are an **ISO 17025 (UKAS) accredited calibration test laboratory** and our team of Field Service Engineers cover the whole of the United Kingdom.

Please contact us for more information on the types of equipment we supply and the different after-sales services we can offer.

Henderson Biomedical

Unit 3, Swan Close
Croydon CR0 2DZ
United Kingdom

Tel: 020 8663 4610

For sales enquiries: sales@henderson-biomedical.co.uk
For all other enquiries: info@henderson-biomedical.co.uk
www.henderson-biomedical.co.uk

