



Datasheet

Features

Lock	Yes
LED Light	Yes
Battery Backup for Controller, 48h	Yes
No-Frost System™	Yes
Perimeter Heater	Hot gas
Porthole	Yes - Ø 20mm
Dry Contact	Yes
Reference bottle	No
Door	Standard: Solid
Door Features	Automatic: Closure < 90° Hold > 90°
Door Reversibility	Yes

Construction

Outer Dimensions, HxWxD	672x595x642
Inner Dimensions, HxWxD	481x475x495
Weight Gross/Net, kg	54 / 43
Material Inner Cabinet	ABS
Material Outer Cabinet	Painted Steel
Insulation Thickness, mm	50
Insulation Type	Polyurethane with Cyclopentane
Air Distribution	Dynamic
Mobility	Standard: Adjustable Feet Option: Castors
Refrigerant, Type / gram	R600a / 38
Variable Speed Compressor	Yes - Adaptive Cooling Technology
Number of Probes	2

Controller & Alarms

Controller	i-Care, Touch screen
Controller language	EN, DE, FR
USB Connection	Yes
Logging	Data, Alarms & Events
Temperature Graph	Yes
High/Low Temp. Alarm	Yes
Open Door Alarm	Yes
Probe Failure Alarm	Yes
Power Failure Alarm	Yes



Biomedical Freezer

Adaptive Cooling Technology™

Info center



Complexity made simple

Storage

Volume, Gross/net, L	90 / 76
Shelves, Full/half	1 / 1
Shelf material	Perforated Alu
Max Loading pr. Shelf, kg	20

Performance & Operation

Temperature Range, C°	-5 to -25
Voltage, V	220
Frequency, Hz	50 / 60
Max Ambient, °C	35
Max Humidity, °C	65
Noise, dB	40
Energy Consumption, kWh / 24h	1,1
Instant Power Consumption	PD 0,120 / Stable 0,046
Heat Rejection	110
K-Value	0,59
Defrost	Automatic

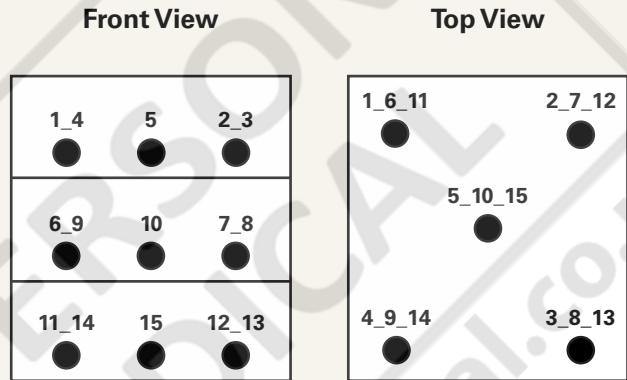


Temperature Mapping

Test overview

Test type	15-point test
Test environment	Controlled conditions, empty cabinet
Ambient temperature	20°C
Humidity	60%
Set-point	-25°C
Sensors used	25gr tinned brass formed as a cylinder with a diameter of 15,2mm
Installation	Appliance installed according to instruction manual conditions
Refrigerant	R600a

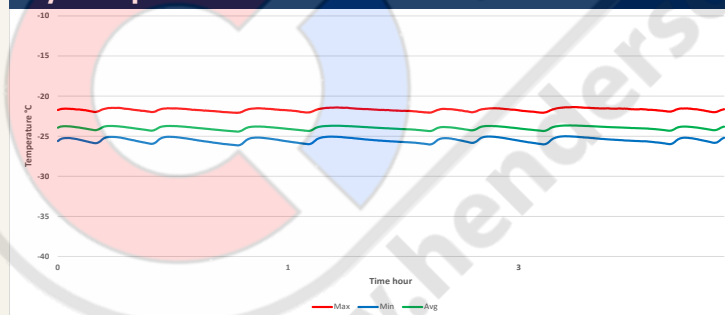
Sensor position



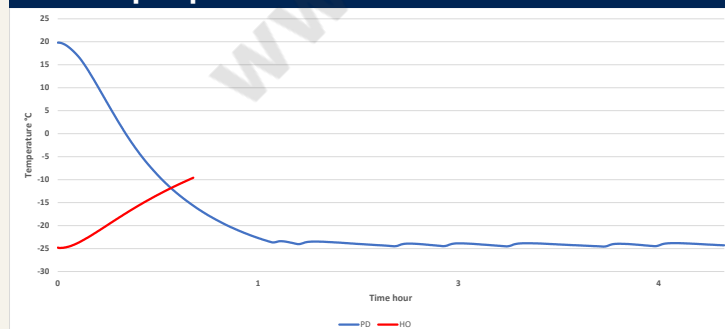
Sensor temperature

Sensor position	P1	P2	P3	P4	P5	P6	P7	P8	P9	P10	P11	P12	P13	P14	P15
Max.	-22	-22,4	-22,9	-21,5	-22,6	-22,4	-23,5	-23,5	-22,4	-23,4	-22,6	-23,5	-23,6	-22,5	-23,5
Avg.	-22,9	-23,3	-24,1	-22,2	-23,2	-23,4	-24,3	-24,3	-23,5	-24,4	-23,6	-24,6	-24,7	-23,3	-24,6
Min.	-24	-24,6	-25,3	-23,1	-24	-24,6	-25,2	-25,3	-24,8	-25,5	-24,8	-25,9	-25,9	-24,4	-26

Cyclic operation



Warm up & pull down

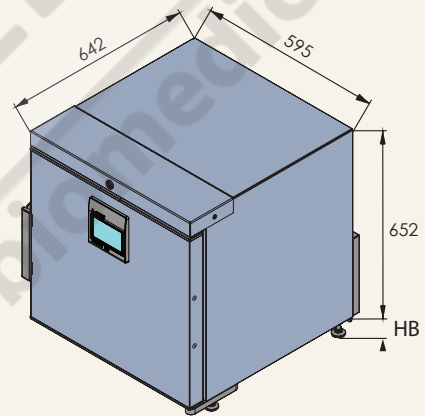
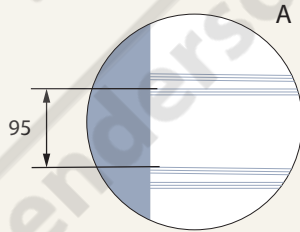
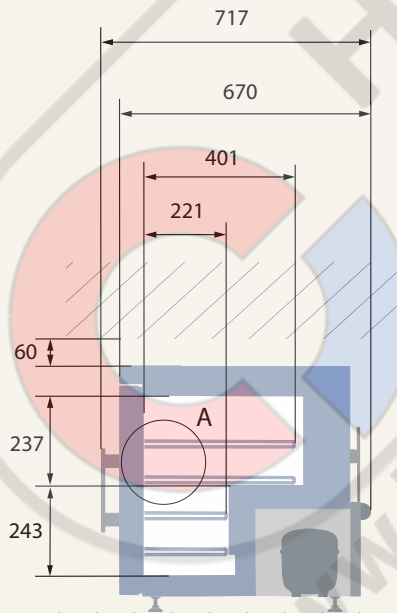
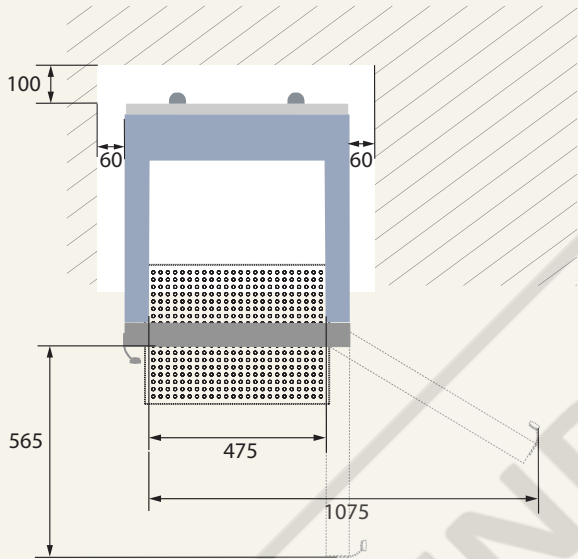


Typical performance data

Avg. cabinet temperature	-24°C
Uniformity	+/- 1,9°C
Stability in avg.	0,3°C
1 min. door open recovery to -20°C avg. temperature	9 min.
Cycle rate on/off	5,1 / 13,9 min.
Duty cycle	25,2%
Energy consumption - Normal mode	1,1 kWh/day
Energy consumption - Energy saving mode (-20)	0,94 kWh/day
Pull down time to -20°C avg. temperature	69 min.
Hold over time from -25°C to -10°C	54 min.
Sample temperature does not exceed	-15°C
Heat rejection	100

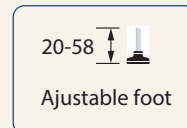
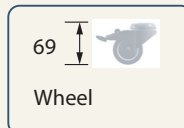


Dimensions



All dimensions in millimeters

HB: Height of base (HB is ajustastable when given value is xx-xx)





LABORATORY EQUIPMENT MAINTENANCE, REPAIR, CALIBRATION AND SALES

Established in 1987, Henderson Biomedical is the UK's leading laboratory equipment sales and service provider. Our knowledgeable team can provide you with excellent sales advice on a range of different types of laboratory equipment including centrifuges, refrigerators, freezers and heat sealers.

Henderson Biomedical is also able to provide you with first class after-sales service and calibration of your laboratory equipment. We are an **ISO 17025 (UKAS) accredited calibration test laboratory** and our team of Field Service Engineers cover the whole of the United Kingdom.

Please contact us for more information on the types of equipment we supply and the different after-sales services we can offer.

Henderson Biomedical

Unit 3, Swan Close
Croydon CR0 2DZ
United Kingdom

Tel: 020 8663 4610

For sales enquiries: sales@henderson-biomedical.co.uk
For all other enquiries: info@henderson-biomedical.co.uk
www.henderson-biomedical.co.uk

