



**Datasheet**

Features	
Lock	Yes
LED Light	Yes
Battery Backup for Controller, 48h	Yes
VIP (Vacuum Insulated Panel)	Yes
Perimeter Heater	Electric
Porthole	Yes - Ø 20mm
Dry Contact	Yes
Vacuum Valve	Yes
Door	Solid
Door Reversibility	No

Construction	
Outer Dimensions, HxWxD	631x630x675
Inner Dimensions, HxWxD	433x439x271
Weight Gross/Net, kg	70 / 59
Material Inner Cabinet	Stainless Steel
Material Outer Cabinet	Painted Steel
Insulation Thickness, mm	80
Insulation Type	Polyurethane with Cyclopentane
Air Distribution	N/A
Mobility	Standard: Adjustable Feet Option: Castors
Refrigerant, Type / gram	Nature R2 / 96
Variable Speed Compressor	Yes - Adaptive Cooling Technology
Internal Air Distribution	Static
Number of Probes	2

Controller & Alarms	
Controller	i-Care, Touch screen
Controller language	EN, DE, FR
USB Connection	Yes
Logging	Data, Alarms & Events
Temperature Graph	Yes
High/Low Temp. Alarm	Yes
Open Door Alarm	Yes
Probe Failure Alarm	Yes
Power Failure Alarm	Yes

-20°C  
-86°C



**ULTF-37i**

**Biomedical ULT Freezer**

Adaptive Cooling Technology™

Info center



Complexity made simple

Storage	
Volume, Gross/net, L	37 / 37
Shelf	1 / 1
Cryobox "2 capacity	33
2 ml vials capacity	3.300
Inner lids	No

Performance & Operation	
Temperature Range, C°	-20 to -86
Voltage, V	110 / 220
Frequence, Hz	50 / 60
Max Ambient, °C	43
Max Humidity, °C	65
Noise, dB	46
Energy Consumption, kWh / 24h	3,2
Instant Power Consumption	PD 0,550 / Stable 0,030
Heat Rejection	306
K-Value	0,19
Defrost	Manual

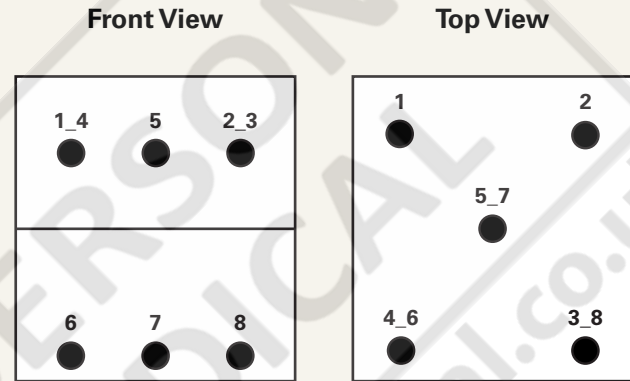


## Temperature Mapping

### Test overview

Test type	8-point test
Test environment	Controlled conditions, empty cabinet
Ambient temperature	20°C
Humidity	60%
Set-point	-82°C
Sensors used	25gr tinned brass formed as a cylinder with a diameter of 15,2mm
Installation	Appliance installed according to instruction manual conditions
Refrigerant	Nature R 2

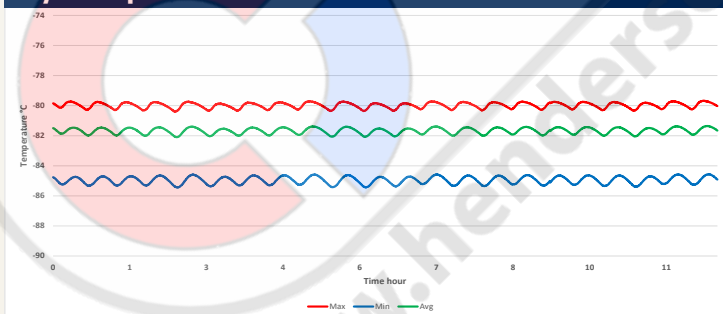
### Sensor position



### Sensor temperature

Sensor position	P1	P2	P3	P4	P5	P6	P7	P8
Max.	-79,7	-80,2	-80,1	-79,9	-80	-83,1	-83,1	-84,6
Avg.	-80	-80,5	-80,4	-80,2	-80,3	-83,5	-83,6	-85
Min.	-80,4	-81	-80,8	-80,5	-80,7	-84,1	-84,1	-85,4

### Cyclic operation



### Warm up & pull down

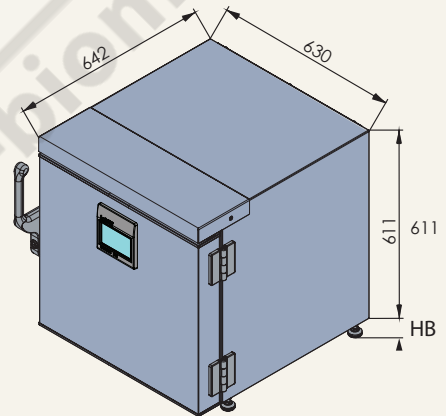
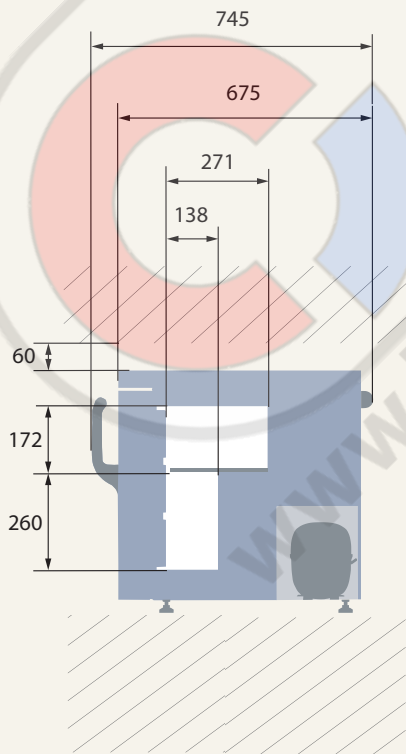
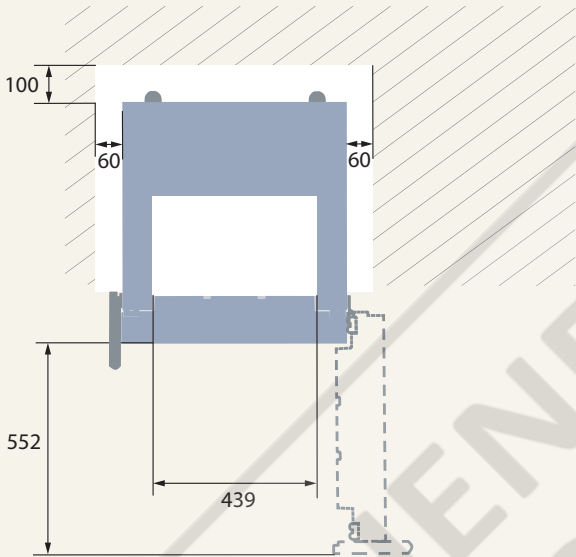


### Typical performance data

Avg. cabinet temperature	-81,7°C
Uniformity	+/- 2,5°C
Stability in avg.	0,5°C
1 min. door open recovery to -75°C avg. temperature	20 min.
Cycle rate on/off	25,7 / 6,7 min.
Duty cycle	78,7%
Energy consumption - Normal mode	3,25 kWh/day
Energy consumption - Energy saving mode	2,92 kWh/day
Pull down time to -75°C avg. temperature	84 min.
Hold over time from -82°C to -60°C	105 min.
Heat rejection	306 W

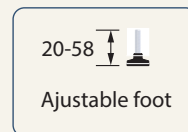
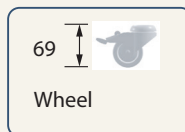


## Dimensions



All dimensions in milimeters

HB: Height of base (HB is ajustastable when given value is xx-xx)





***LABORATORY EQUIPMENT MAINTENANCE, REPAIR, CALIBRATION AND SALES***

Established in 1987, Henderson Biomedical is the UK's leading laboratory equipment sales and service provider. Our knowledgeable team can provide you with excellent sales advice on a range of different types of laboratory equipment including centrifuges, refrigerators, freezers and heat sealers.

Henderson Biomedical is also able to provide you with first class after-sales service and calibration of your laboratory equipment. We are an **ISO 17025 (UKAS) accredited calibration test laboratory** and our team of Field Service Engineers cover the whole of the United Kingdom.

Please contact us for more information on the types of equipment we supply and the different after-sales services we can offer.

**Henderson Biomedical**

Unit 3, Swan Close  
Croydon CR0 2DZ  
United Kingdom

**Tel: 020 8663 4610**

**For sales enquiries: [sales@henderson-biomedical.co.uk](mailto:sales@henderson-biomedical.co.uk)  
For all other enquiries: [info@henderson-biomedical.co.uk](mailto:info@henderson-biomedical.co.uk)  
[www.henderson-biomedical.co.uk](http://www.henderson-biomedical.co.uk)**

