



Datasheet

Features

Lock	Yes
LED Light	No
Battery Backup for Controller, 48h	Yes
VIP (Vacuum Insulated Panel)	No
Perimeter Heater	No
Porthole	Yes - Ø 12,5mm
Dry Contact	Yes
Vacuum Valve	No
Door	Solid
Door Reversibility	N/A

Construction

Outer Dimensions, HxWxD	831x1560x608
Inner Dimensions, HxWxD	624x1400x440
Weight Gross/Net, kg	112 / 86
Material Inner Cabinet	Painted Steel
Material Outer Cabinet	Painted Steel
Insulation Thickness, mm	80
Insulation Type	Polyurethane with Cyclopentane
Air Distribution	N/A
Mobility	Standard: 4xCasters with brakes
Refrigerant, Type / gram	Nature R2 / 161
Variable Speed Compressor	No
Internal Air Distribution	Static
Number of Probes	1

Controller & Alarms

Controller	i-Care, Touch screen
Controller language	EN, DE, FR
USB Connection	Yes
Logging	Data, Alarms & Events
Temperature Graph	Yes
High/Low Temp. Alarm	Yes
Open Door Alarm	No
Probe Failure Alarm	Yes
Power Failure Alarm	Yes



Biomedical ULT Freezer

Complexity made simple Info center



Storage

Volume, Gross/net, L	383 / 368
Shelf	N/A
Cryobox "2 capacity	282
2 ml vials capacity	28.200
Inner lids	Yes

Performance & Operation

Temperature Range, C°	-20 to -86
Voltage, V	220
Frequence, Hz	50
Max Ambient, °C	25
Max Humidity, °C	65
Noise, dB	55
Energy Consumption, kWh / 24h	9,9
Instant Power Consumption	PD 0,810 / Stable 0,532
Heat Rejection	670
K-Value	0,2
Defrost	Manual

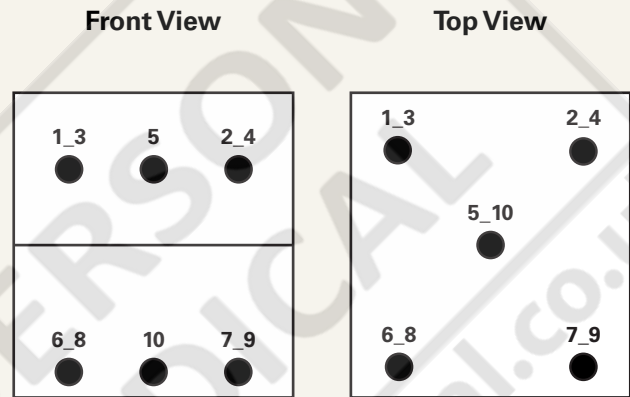


Temperature Mapping

Test overview

Test type	10-point test
Test environment	Controlled conditions, empty cabinet
Ambient temperature	20°C
Humidity	60%
Set-point	-82°C
Sensors used	25gr tinned brass formed as a cylinder with a diameter of 15,2mm
Installation	Appliance installed according to instruction manual conditions
Refrigerant	Nature R 2

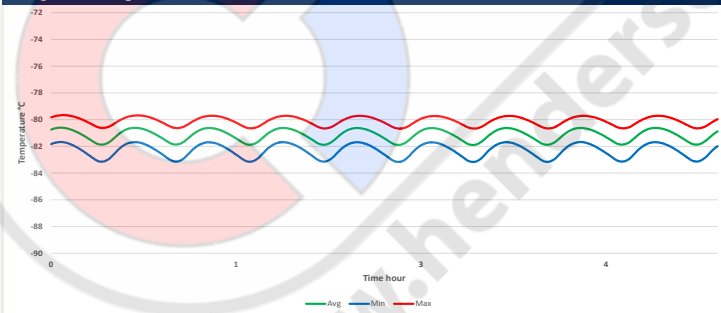
Sensor position



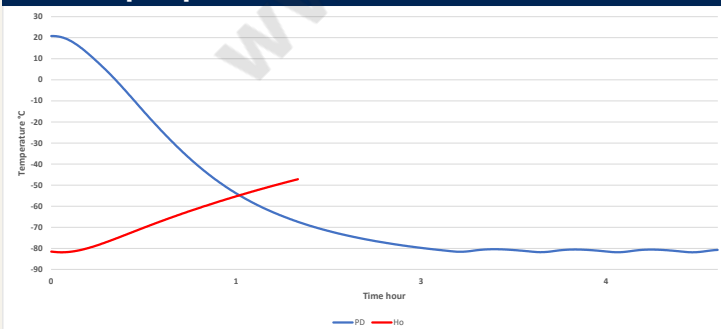
Sensor temperature

Sensor position	P1	P2	P3	P4	P5	P6	P7	P8	P9	P10
Max.	-80,9	-81,5	-81,7	-80	-80,3	-79,9	-79,7	-80,7	-81,7	-80,8
Avg.	-81,5	-82,2	-82,3	-80,8	-80,8	-80,4	-80,1	-81,2	-81,7	-80,8
Min.	-82,3	-83	-83,2	-81,6	-81,5	-81	-80,7	-81,8	-82,5	-81,6

Cyclic operation



Warm up & pull down



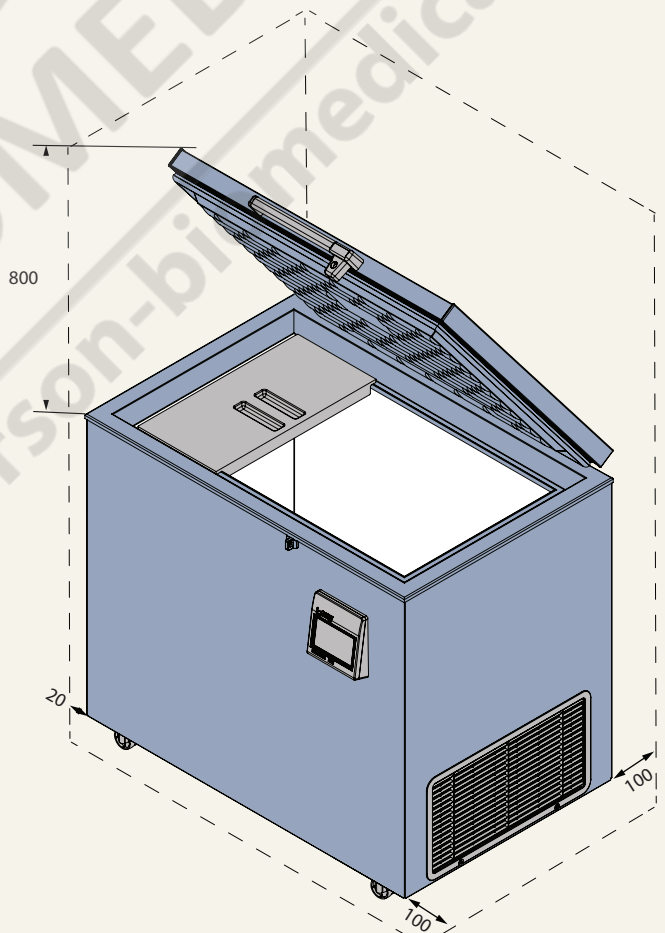
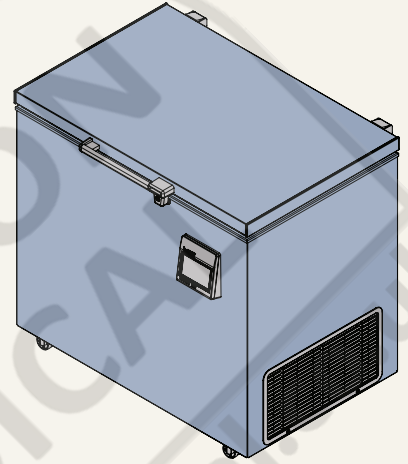
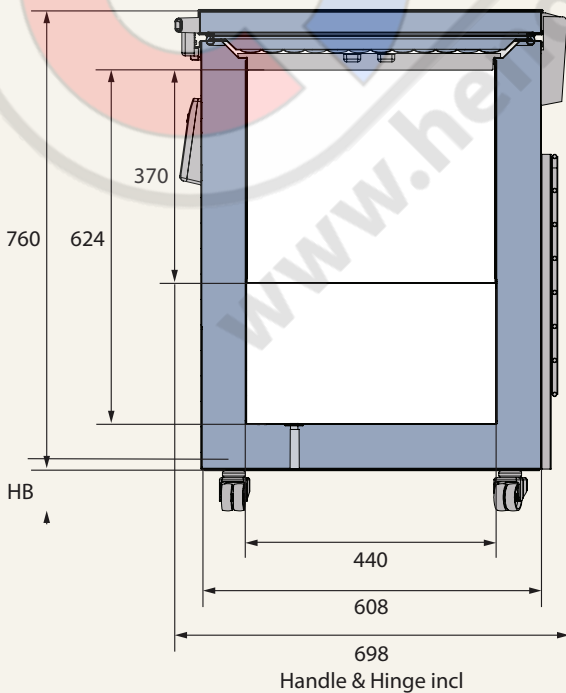
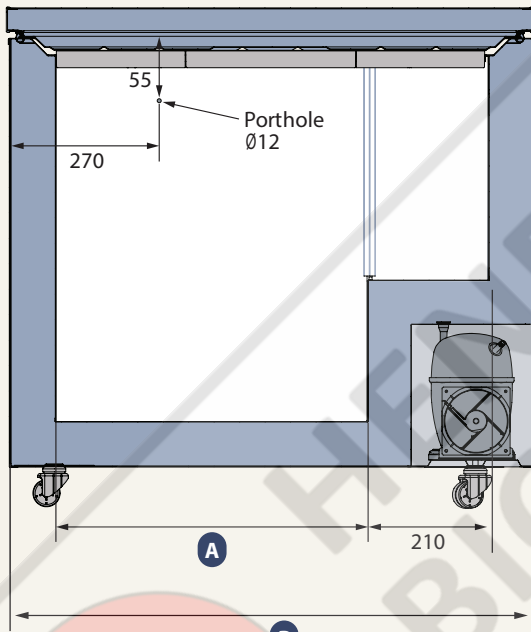
Typical performance data

Avg. cabinet temperature	-81,2°C
Peak variation from set-point	+/- 1,1°C
Stability in avg.	0,6°C
1 min. door open recovery to -75°C avg. temperature	<1 min.
Cycle rate on/off	25 / 7 min.
Duty cycle	75 %
Energy consumption - Normal mode	9,95 kWh/day
Energy consumption - Energy saving mode	7,42 kWh/day
Pull down time to -75°C avg. temperature	138 min.
Hold over time from -82°C to -60°C	69 min.
Heat rejection	670 W



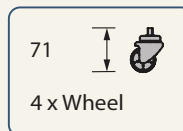
Dimensions

Model	A	B
ULTF-C198i	550	920
ULTF-C296i	890	1260
ULTF-C383i	1190	1560



All dimensions in millimeter

HB: Height of base (HB is ajustastable when given value is xx-xx)





LABORATORY EQUIPMENT MAINTENANCE, REPAIR, CALIBRATION AND SALES

Established in 1987, Henderson Biomedical is the UK's leading laboratory equipment sales and service provider. Our knowledgeable team can provide you with excellent sales advice on a range of different types of laboratory equipment including centrifuges, refrigerators, freezers and heat sealers.

Henderson Biomedical is also able to provide you with first class after-sales service and calibration of your laboratory equipment. We are an **ISO 17025 (UKAS) accredited calibration test laboratory** and our team of Field Service Engineers cover the whole of the United Kingdom.

Please contact us for more information on the types of equipment we supply and the different after-sales services we can offer.

Henderson Biomedical

Unit 3, Swan Close
Croydon CR0 2DZ
United Kingdom

Tel: 020 8663 4610

**For sales enquiries: sales@henderson-biomedical.co.uk
For all other enquiries: info@henderson-biomedical.co.uk
www.henderson-biomedical.co.uk**

